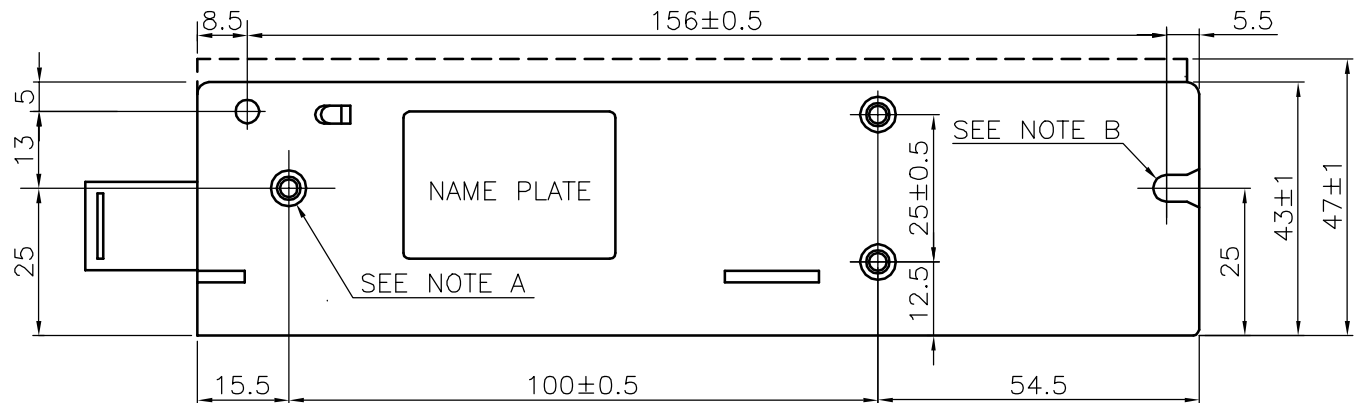
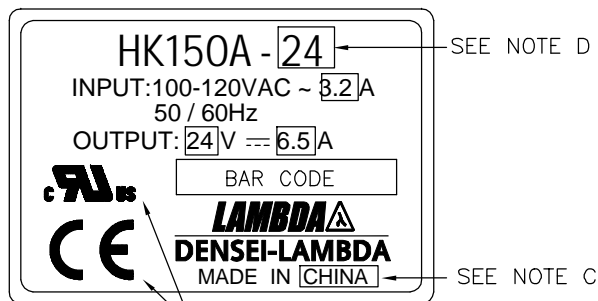


=== NAME PLATE (SCALE:2/1) ===



=== NOTE ===

- A: M4 TAPPED HOLES FOR CUSTOMER CHASSIS MOUNTING. SCREWS MUST NOT PROTRUDE INTO POWER SUPPLY BY MORE THAN 6mm.
- B:  $\phi 4.5$  HOLES(2) FOR CUSTOMER CHASSIS MOUNTING.
- C: COUNTRY OF MANUFACTURE WILL BE SHOWN HERE.
- D: MODEL NAME, NOMINAL OUTPUT VOLTAGE, MAXIMUM OUTPUT CURRENT ARE SHOWN HERE IN ACCORDANCE WITH THE SPECIFICATIONS.
- E: C-UL-US & CE MARKING (ONLY 3.3V,5V,12V,15V & 24V)

=== ACCESSORIES ===

- COVER FOR BARRIER TERMINAL STRIP --- 1  
(MOUNTED ON TERMINAL STRIP AT TIME OF SHIPMENT)
- METAL PIECES FOR SHORTING PURPOSES --- 2 (+~+S & -~-S)  
(MOUNTED ON TERMINAL STRIP AT TIME OF SHIPMENT)

(STANDARD & /A TYPE)

(unit : mm)

MODEL	HK150A
<b>DENSEI-LAMBDA</b>	
PA784-02-01H	