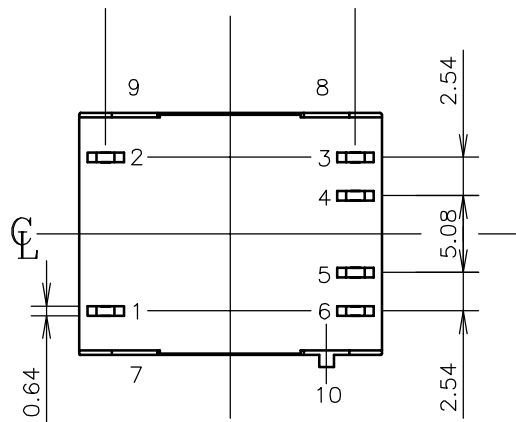
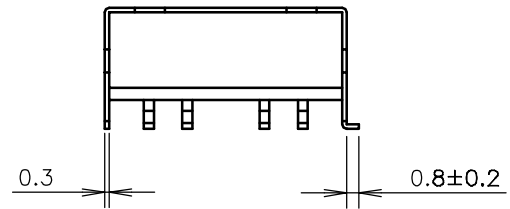
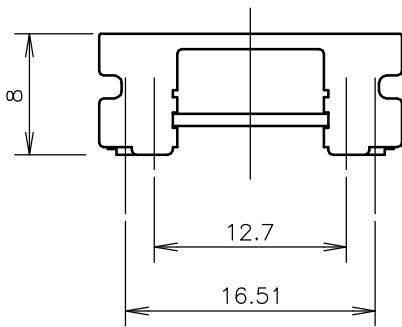
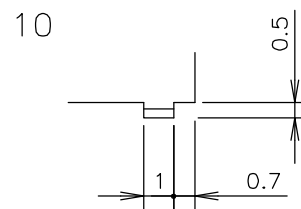
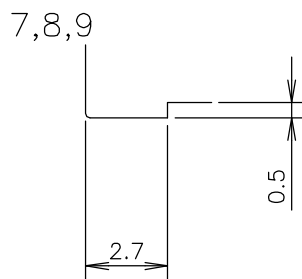
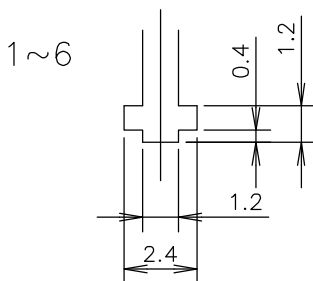


GENERAL TOLERANCE : ± 0.5



TERMINAL ASSIGNMENTS

- 1 +Vin
- 2 -Vin
- 3 NC
- 4 -Vout
- 5 TRM
- 6 +Vout



(unit : mm)

MODEL NAME	PSS1R5/S
DENSEI-LAMBDA	

C183-02-01/S