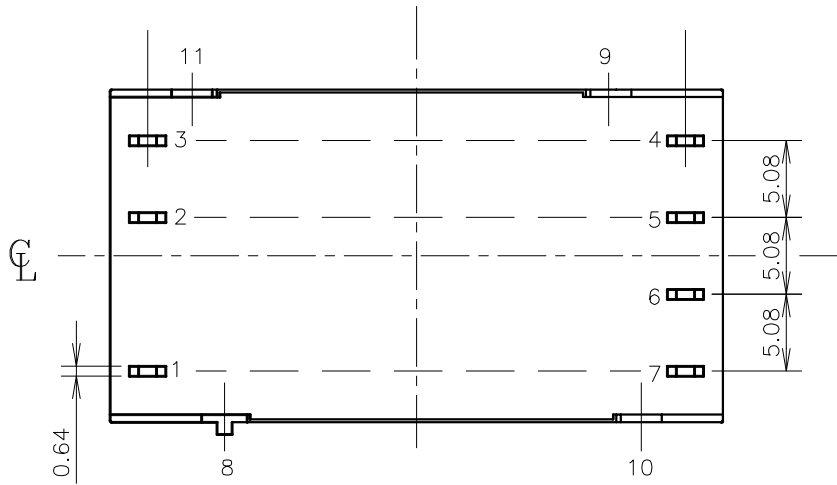
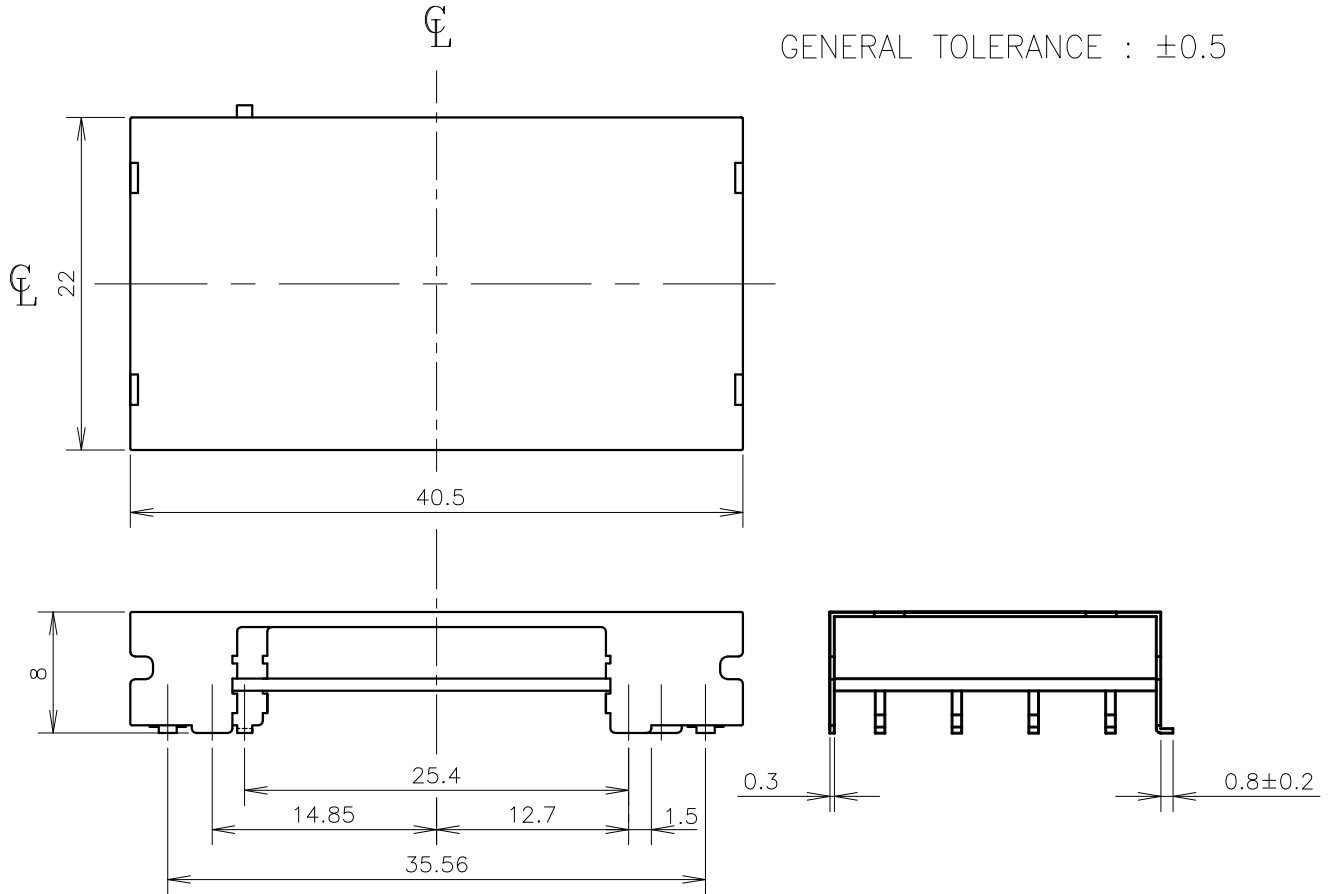
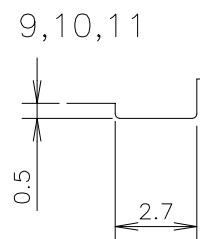
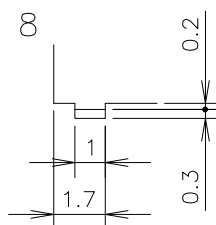
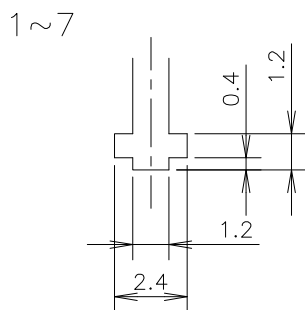


GENERAL TOLERANCE :  $\pm 0.5$



TERMINAL ASSIGNMENTS

- 1 +Vin
- 2 CNT
- 3 -Vin
- 4 -Vout
- 5 COM
- 6 TRM
- 7 +Vout



(unit : mm)

MODEL NAME	PSD10/S
<b>DENSEI-LAMBDA</b>	

C211-02-01/S-A